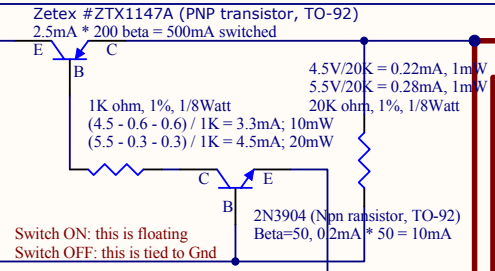


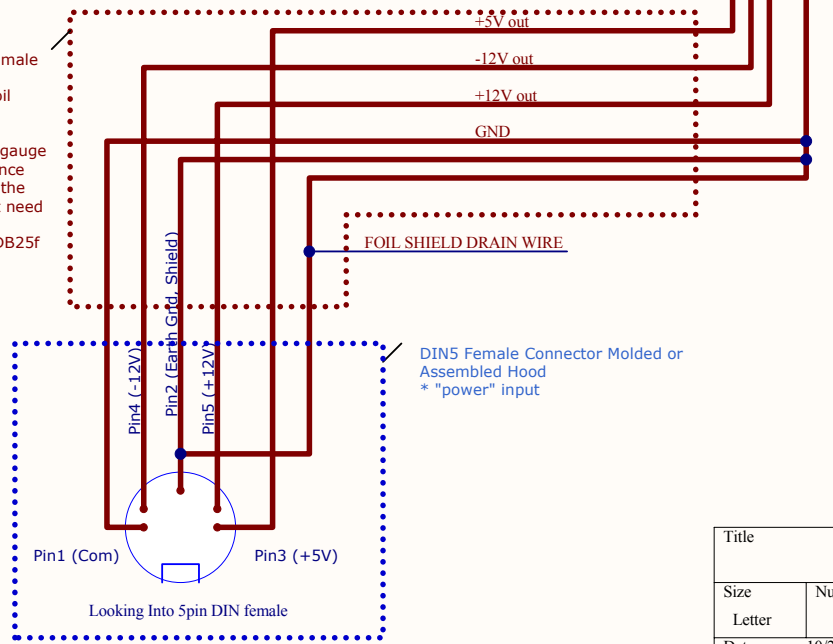
DB25 FEMALE Connector Molded Hood
 * "output"
 * foil shield around wires, foil connected to GND
 * Provides two 4-40 thumbscrews (NOT jack nuts)

Cable between DB25m and DB25f
 * 21 (or more) wires + 1 drain wire around foil shielded
 * no twisted pairs
 * 28 gauge wire (since less money than 26 gauge)
 * 21cm from tip of DB25m to tip of DB25f (i.e. where contacts are)



DB25 MALE Connector Molded Hood
 * "input", attaches to upstream device, toward computer
 * foil shield around wires, foil connected to GND
 * Two 4-40 thumbscrews (NOT jack nuts)
 * Threaded spacers are loosely attached to jacknuts so that customer can attach this to another cable that has jacknuts

Cable between DB25f and DIN5 female
 * These traces are shown in RED
 * 5 wires + 1 drain wire around foil shielded
 * no twisted pairs
 * 18 gauge wire (this must be 18 gauge to carry high current. However, since the voltage is low (<= 300Volts), the insulation on these wires does not need to be thick.
 * 18cm from tip of Din5 to tip of DB25f (i.e. where contacts are)



DIN5 Female Connector Molded or Assembled Hood
 * "power" input

Packaging
 * Each Cable is shipped in it's own plastic bag.
 * Db25m connector jackscrews have loose fitting threadspacers attached to them.

Title		
Size	Number	Revision
Letter		
Date:	10/24/2009	Sheet of
File:	C:\Documents and Settings\... \1300 v4 page 1 of 10	